

SPEAKMAN®

SE-220, SE-220-SS, SE-227, SE-227-SS

Installation, Maintenance & Operation Instructions

LIFESAVER® EMERGENCY SHOWER

DESCRIPTION

Emergency deluge shower supplied with stay-open full flow ball valve, activated by triangular pull rod.

SE-220 SPECIFICATIONS

SHOWER HEAD: 8" DIA. YELLOW PLASTIC.

FLOW CONTROL: SEE FLOW DATA CHART BELOW

VALVE: 1" NPT FEMALE BRASS, CHROME-PLATED. STAY-OPEN VALVE.

ACTIVATOR: POWDER COATED YELLOW, ALUMINUM TRIANGULAR PULL ROD.

INLET: 1" NPT FEMALE.

SHIPPING WEIGHT: 6.65 LB.

EMERGENCY SIGN: 7-7/8" X 7-7/8" PLASTIC WALL SIGN.

SE-220-SS SPECIFICATIONS

SHOWER HEAD: 8" DIA. STAINLESS STEEL.

FLOW CONTROL: SEE FLOW DATA CHART BELOW

VALVE: 1" NPT FEMALE STAINLESS STEEL. STAY-OPEN VALVE.

ACTIVATOR: STAINLESS STEEL TRIANGULAR PULL ROD.

INLET: 1" NPT FEMALE.

SHIPPING WEIGHT: 6.65 LB.

EMERGENCY SIGN: 7-7/8" X 7-7/8" PLASTIC WALL SIGN.

SE-227 SPECIFICATIONS

SHOWER HEAD: 8" DIA. YELLOW PLASTIC.

FLOW CONTROL: SEE FLOW DATA CHART BELOW

VALVE: 1" NPT FEMALE BRASS, CHROME-PLATED. STAY-OPEN VALVE.

ACTIVATOR: POWDER COATED YELLOW, ALUMINUM TRIANGULAR PULL ROD.

INLET: 1" NPT FEMALE.

PIPE: 1" IPS GALVANIZED STEEL.

SHIPPING WEIGHT: 8.98 LBS.

EMERGENCY SIGN: 7-7/8" X 7-7/8" PLASTIC WALL SIGN.

SE-227-SS SPECIFICATIONS

SHOWER HEAD: 8" DIA. STAINLESS STEEL.

FLOW CONTROL: SEE FLOW DATA CHART BELOW

VALVE: 1" NPT FEMALE STAINLESS STEEL. STAY-OPEN VALVE.

ACTIVATOR: STAINLESS STEEL TRIANGULAR PULL ROD.

INLET: 1" NPT FEMALE.

PIPE: 1" IPS GALVANIZED STEEL.

SHIPPING WEIGHT: 8.98 LBS.

EMERGENCY SIGN: 7-7/8" X 7-7/8" PLASTIC WALL SIGN.

INSTALLATION

Review drawing to assure proper installation. Assemble unit to a 1" supply pipe that has an uninterrupted source of potable water. Use pipe sealant on this joint. Failure to use potable water can result in emergency units producing impure or contaminated water causing possible further injury.

SPEAKMAN®

OPERATION

This shower is activated by pulling downward on the stainless steel pull rod. The valve will continue to discharge water until the rod is manually pushed back to the off position.

TESTING PROGRAM

The American National Standards Institute (ANSI) states that all safety emergency equipment shall be activated on a weekly basis to flush the line and verify proper operation. Speakman Company furnishes a testing record tag (91-0635) with each unit. On this tag the date of inspection and the inspector's initials should be noted.

MAINTENANCE

Should you need parts to repair this unit, please reference the parts listing below for correct part numbers. Reference additional technical sheets (supplied) for information on the SE-911 / SE-911-SS stay-open valve, and the SE-810 / SE-820 shower head. Before any maintenance is done be sure to shut the water supply off.

WARNING: Use only genuine Speakman parts when repairing or replacing components. To order parts call 1-800-537-2107.

SE-220 ROUGH-IN REPLACEMENT/REPAIR PARTS

ITEM	PART/GROUP #	DESCRIPTION
1A	SE-911	1" Stay-Open Valve
2A	SE-810	8" Plastic Shower Head
3A	RPG47-0046	Aluminum Pull Rod

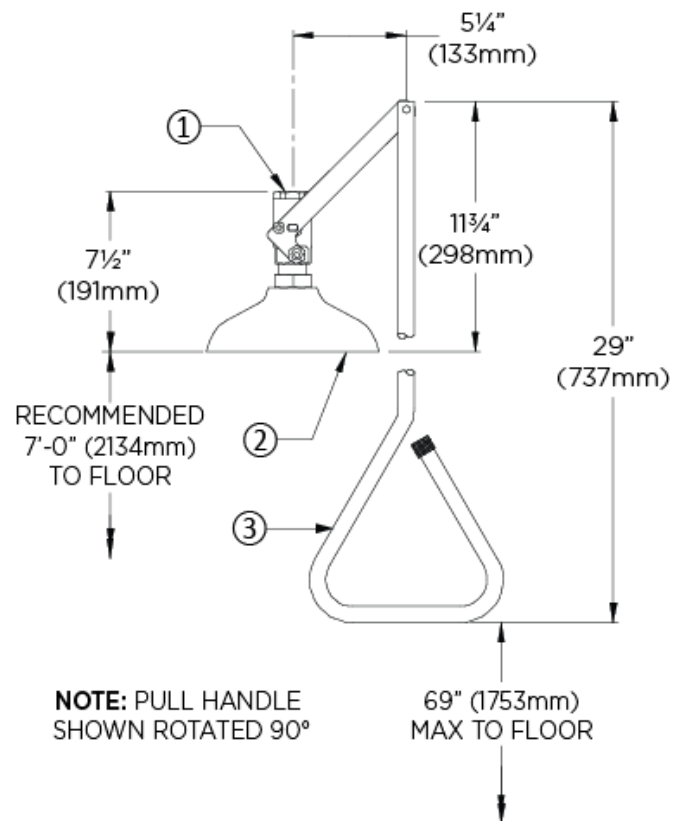
SE-220-SS ROUGH-IN REPLACEMENT/REPAIR PARTS

ITEM	PART/GROUP #	DESCRIPTION
1B	SE-911-SS	Stainless Steel 1" Stay-Open Valve
2B	SE-820	8" Stainless Steel Shower Head
3B	RPG47-0044	Stainless Steel Pull Rod

FLOW DATA

SHOWER:

FLOW PRESSURE PSI (BAR)	30 (2.1)	40 (2.7)
FLOW RATE GPM (LPM)	21 (79)	22 (83)



NOTES

This unit should be connected to an uninterrupted source of potable water, with a minimum flowing pressure of 30 PSI and a maximum static pressure of 80 PSI.

All units meet existing ANSI Z358.1 Standards and OSHA Rules. Product improvements may cause specification and dimensional changes without notice

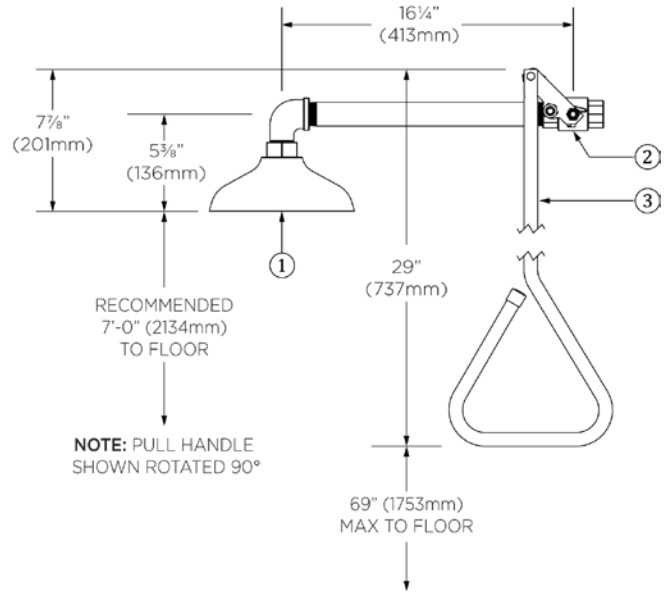
SPEAKMAN®

**SE-227 ROUGH-IN
REPLACEMENT/REPAIR PARTS**

ITEM	PART/GROUP #	DESCRIPTION
1A	SE-911	1" Stay-Open Valve
2A	SE-810	8" Plastic Shower Head
3A	RPG47-0046	Aluminum Pull Rod

**SE-227-SS ROUGH-IN
REPLACEMENT/REPAIR PARTS**

ITEM	PART/GROUP #	DESCRIPTION
1B	SE-911-SS	Stainless Steel 1" Stay-Open Valve
2B	SE-820	8" Stainless Steel Shower Head
3B	RPG47-0044	Stainless Steel Pull Rod



FLOW DATA

SHOWER:

FLOW PRESSURE PSI (BAR)	30 (2.1)	40 (2.7)
FLOW RATE GPM (LPM)	21 (79)	22 (83)

NOTES

This unit should be connected to an uninterrupted source of potable water, with a minimum flowing pressure of 30 PSI and a maximum static pressure of 80 PSI.

All units meet existing ANSI Z358.1 Standards and OSHA Rules. Product improvements may cause specification and dimensional changes without notice

SPEAKMAN®